
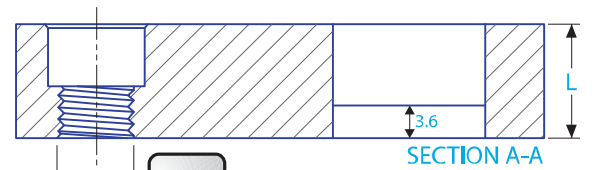
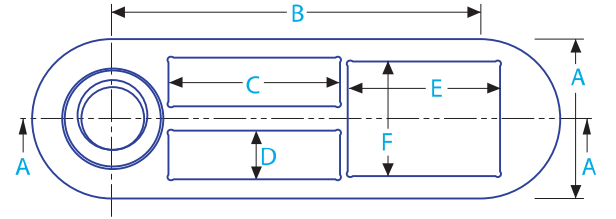
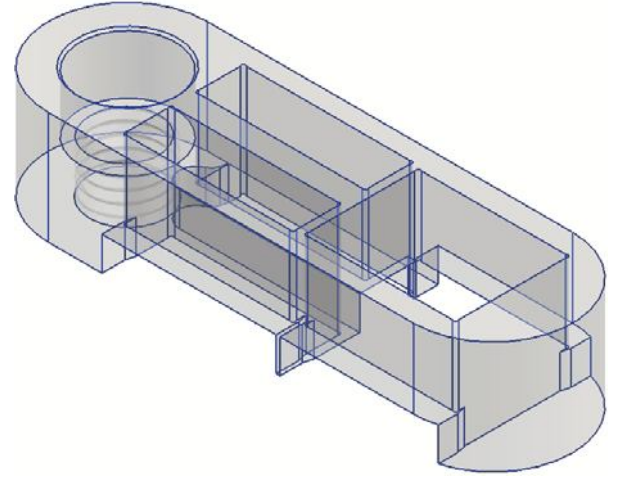


N	Sipariş Kodu Order Code	A (mm)	B (mm)	C (mm)	D (mm)	E (mm)	F (mm)	L (mm)							
01	OR1312014ST		14.00	2.10											
02	OR1312016ST		16.00	4.10											
03	OR1312018ST		18.00	6.10											
04	OR1312020ST	11.90	20.00	8.10	3.10	8.10	7.10	12.00	M5						
05	OR1312022ST		22.00	10.10											
06	OR1312024ST		24.00	12.10											
07	OR1312028ST		28.00	16.10											
08	OR1312032ST		32.00	20.10											
09	OR1317024ST		16.90	24.00						3.10	5.10	16.10	12.10	12.00	M6
10	OR1317024LT			24.00						3.10					
11	OR1317027ST			27.00						6.10					
12	OR1317027LT	27.00		6.10											
13	OR1317030ST	30.00		9.10											
14	OR1317030LT	30.00		9.10											
15	OR1317033ST	33.00		12.10											
16	OR1317033LT	33.00		12.10											
17	OR1317036ST	36.00		15.10											
18	OR1317036LT	36.00		15.10											
19	OR1317039ST	39.00		18.10											
20	OR1317039LT	39.00		18.10											
21	OR1317045ST	45.00		24.10											
22	OR1317045LT	45.00		24.10											
23	OR1317051ST	51.00		30.10											
24	OR1317051LT	51.00		30.10											
25	OR1323031ST	22.80	31.00	4.10	7.10	20.10	16.10	12.00	M8						
26	OR1323031LT		31.00	4.10											
27	OR1323035ST		35.00	8.10											
28	OR1323035LT		35.00	8.10											
29	OR1323039ST		39.00	12.10											
30	OR1323039LT		39.00	12.10											
31	OR1323043ST		43.00	16.10											
32	OR1323043LT		43.00	16.10											
33	OR1323047ST		47.00	20.10											
34	OR1323047LT		47.00	20.10											
35	OR1323051ST		51.00	24.10											
36	OR1323051LT		51.00	24.10											
37	OR1323059ST		59.00	32.10											
38	OR1323059LT		59.00	32.10											
39	OR1323067ST		67.00	40.10											
40	OR1323067LT		67.00	40.10											



Müşteri Kodu Customer Code	Müşteri Ölçüleri / Customer Dimensions
41	

N	Sipariş Kodu / Order Code	Miktar / Quantity	Sipariş Tarihi Order Date	Teslim Tarihi Delivery Date

Müşteri Notu / Customer Note	İsim, Kaşe - İmza / Name, Stamp and Signature